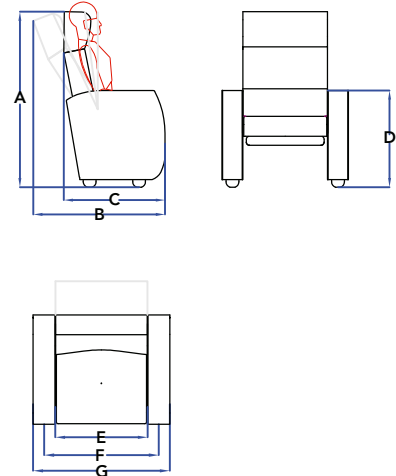


MUKA

PRIME seating



ITEM	DIMENSIONS	
	mm	INCHES
A	1080	42.5
B	940	37
C	737	29
D	635	25
E	560	22
F	689	27
G	818	32

TECHNICAL SPECS

- Lounger mechanism, cold cured molded polyurethane foam pad with 18-20 kgf of hardness
- High grade steel frame (18 gauge and 1" diameter) for structural integrity, formed with precision CNC benders and robot welded for reliability.
- Upholstered end panels made of wood, reinforced with internal 3mm steel brackets.
- Backrest pan made of injected, high impact polypropylene plastic.
- Plastic cupholder

OPTIONAL

- Fixed backrest
- Numbering and lettering: plastic or embroidered, by row or by seat.
- Embroidered logos
- Love-seat armrest (retractable center armrest)
- End of row lighting for aisle illumination
- Fixed table: Laminate surface / HPL / Integrated cupholder
- Swivel table: Thermoformed top / Laminate surface / HPL / Tempered glass / Integrated cupholder
- Lineal, radius, flat or slope installations

WARRANTY

- 5 years warranty for quality defects.